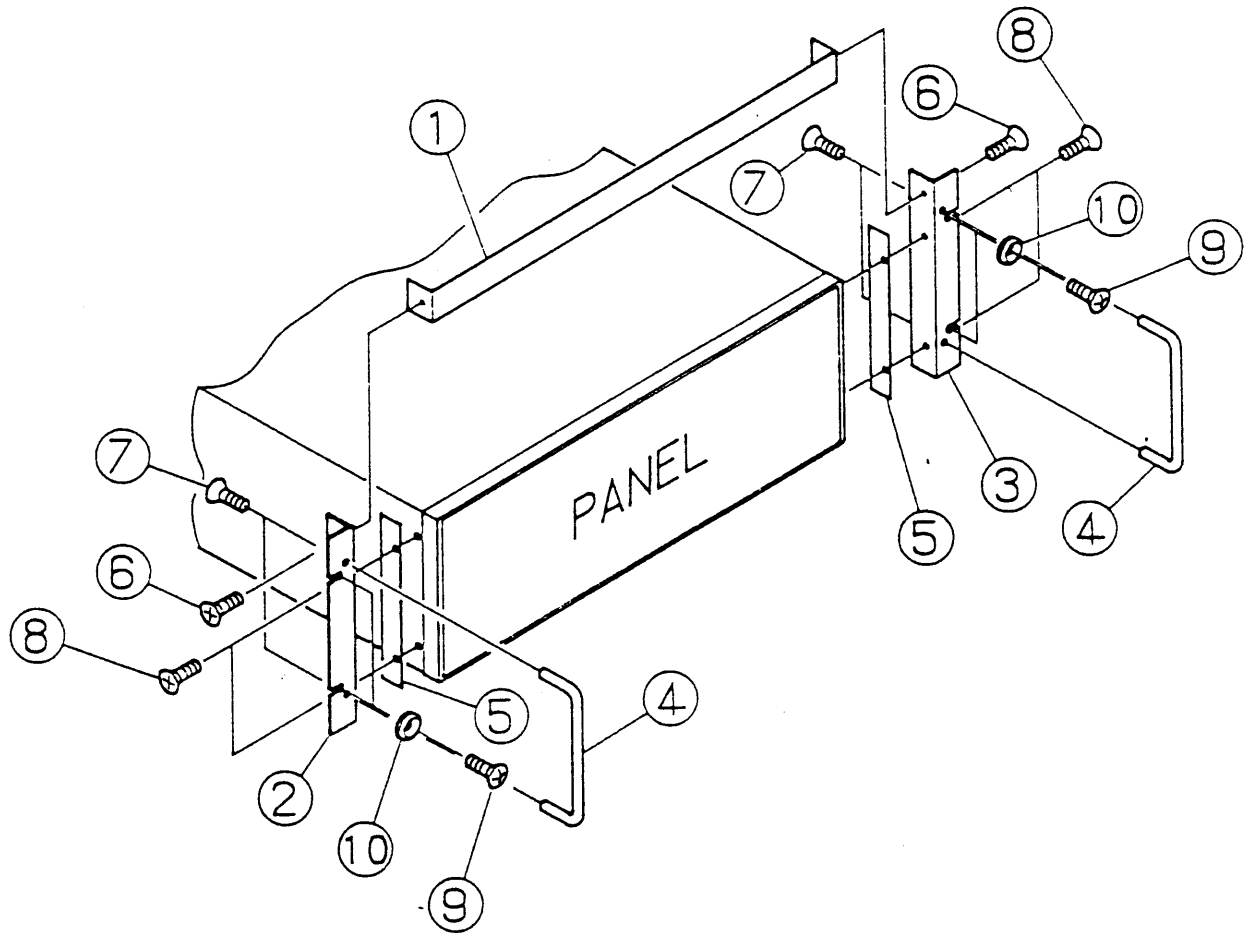


BRACKET BH4-TOS



注意：ラック等に取納の際は、内部に於いてもガイドレール(サポートアングル)等にて支持して下さい。

Note: In case of mounting any instrument using these brackets on a rack etc., please support it with a guide-rail (or support angle-brackets etc.) behind the instrument without fail.

| NO. | DESCRIPTION | QTY | CODE NO. |
|-----|--------------------------------|-----|------------|
| 1 | BLANK PANEL BH4-TOS | 1 | A4-946-901 |
| 2 | BRACKET BH4-TOS LEFT | 1 | B9-946-901 |
| 3 | BRACKET BH4-TOS RIGHT | 1 | B9-946-902 |
| 4 | HANDLE THA-31-SUS-F-6 CODE3884 | 2 | E6-070-101 |
| 5 | SPACER | 2 | Q1-071-131 |
| 6 | SCREW, FLAT HEAD M3x05x8 S-ZN | 2 | M2-001-091 |
| 7 | SCREW, FLAT HEAD M5x08x10 S-ZN | 4 | M2-001-191 |
| 8 | SCREW, FLAT HEAD M4x07x12 S-ZN | 4 | M2-001-381 |
| 9 | SCREW, OVAL HEAD M5x08x14 B-NI | 4 | M2-002-091 |
| 10 | FINISHING WASHER 5CW | 4 | M5-003-031 |